

Installation Instruction

Handlebar Risers 23554

Fits for:
BMW F800ST (2006-2012)
Motorcycles with a 22mm (22,2mm) handlebar
and a hole distance of 32-40mm.

Shipment includes:
2x handlebar risers upper part
2x handlebar risers lower part
4x hexagon socket screw M8x45/50/55
1x street homologation EU
1x mounting instructions

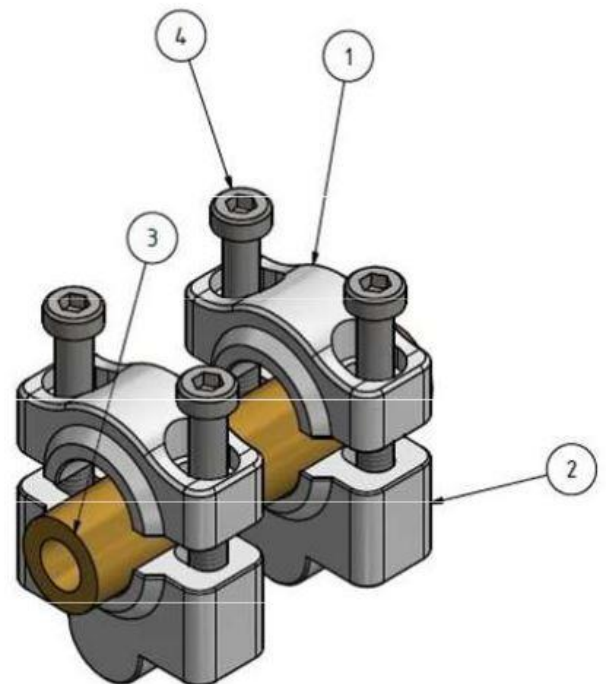


Dismantling:
Remove the upper part of the handlebar mounting
(clamp brackets).

Mounting:
The handlebar risers (lower parts) (2) are used
directly on the lower handlebar mounting (lower
clamp brackets) under the handlebar. After this,
position your handlebar (3) correctly and fix the
upper clamp brackets (1) by means of the enclosed
M8 screws (4).

Screws and safety:
The enclosed screws have to be screwed with the
following torque: M8 → 23 Nm

Please also secure the screws with liquid
threadlocker and check their firm hold from time to
time.



Remarks:
After having mounted the handlebar risers, please check if the brake lines, bowden cables and other
cables are in a good condition.
They must not tense or rub even with full steering angle.
If necessary, please replace or extend them.